

SKB Lead Acid Battery SK12-80S(6FM80S) 12V – 80Ah SINERCOM SRL

The rechargeable batteries are lead-lead dioxide systems. The dilute sulfuric acid electrolyte is absorbed by separators and plates and thus immobilized. Should the battery be accidentally overcharged producing hydrogen and oxygen, special one-way valves allow the gases to escape thus avoiding excessive pressure build-up. Otherwise, the battery is completely sealed and is, therefore, maintenance-free, leak proof and usable in any position.



BATTERY CONSTRUCTION

Component	Positive plate	Negative plate	Container	Cover	Safety Valve	Terminal	Separator	Electrolyte
Raw material	Lead dioxide	Lead	ABS	ABS	Rubber	Copper	Fiberglass	Sulfuric acid

GENERAL FEATURES

- Absorbent Glass Mat (AGM) technology for efficient gas recombination of up to 99% and freedom from electrolyte maintenance or water adding.
- Not restricted for air transport-complies with IATA/ICAO Special Provision A67.
- UL-recognized component.
- Can be mounted in any orientation.
- Computer designed lead, calcium tin alloy grid for high power density
- Long service life, float or cyclic applications.
- Maintenance-free operation.
- Low self discharge.

DIMENSIONS AND WEIGHT

Length (mm / inch).....350 / 13.80
 Width (mm / inch).....167 / 6.57
 Height (mm / inch).....179 / 7.05
 Total Height (mm / inch).....179 / 7.05
 Approx Weight (Kg / lbs)..... 23 / 52.0

Terminal Type : F11 (Vite Inser. M6)

PERFORMANCE CHARACTERISTICS

NOMINAL VOLTAGE.....12V
NUMBER OF CELL.....6
DESIGNE LIFE.....10 years

NOMINAL CAPACITY (25°C)

- 24 hour rate (3.61A - 10.8V).....86.6Ah
 - 10 hour rate (8.00A - 10.8V)..... 80.0Ah
 - 5 hour rate (14.4A - 10.5V)..... 72.0Ah
 - 1 hour rate (53.7A - 9.6V)..... 53.7Ah

INTERNAL RESISTANCE :

Fully Charged battery (25°C).....5.5 mOhms

SELF – DISCHARGE :

3% of capacity declined per month at 20°C (average)

OPERATING TEMPERATURE RANGE :

Discharge..... -20 – 60°C
 Charge..... -10 – 60°C
 Storage..... -20 – 60°C

MAX DISCHARGE CURRENT 77°F(25°C) :.....650A (5s)

CHARGE METHODS: Constant Voltage Charge 77°C (25°C)

Cycle use..... 14,4 – 14,7V

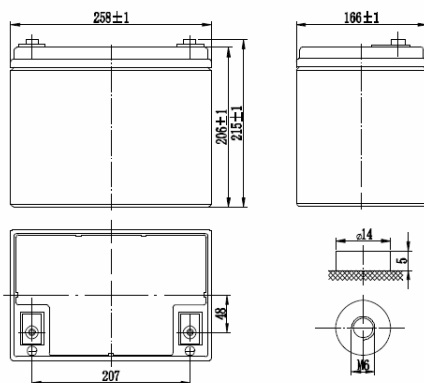
Maximum charging current.....24 A

Temperature compensation..... -30mV/°C

Standby use..... 13,6 – 13,8V

Temperature compensation..... -20mV/°C

BATTERY AND TERMINAL DIMENSIONS



DISCHARGE CONSTANT CURRENT (Ampere at 77°F 25°C)

TIME	5 min.	10 min.	15 min.	30 min.	60 min.	2 h	3 h	4 h	5 h	8 h	10h	24 h
1.60 V	247	188	149	87.3	53.7	30.5	22.7	17.9	15.0	9.91	8.20	3.72
1.65 V	233	178	137	83.0	51.6	29.8	22.5	17.7	14.7	9.79	8.15	3.70
1.70 V	218	168	132	80.3	49.6	29.2	22.4	17.6	14.7	9.75	8.10	3.65
1.75 V	204	159	126	77.6	47.1	28.1	21.8	17.2	14.4	9.63	8.05	3.63
1.80 V	190	149	118	75.0	46.3	27.1	20.7	16.6	14.1	9.52	8.00	3.61

DISCHARGE CONSTANT POWER (Watts/cell at 77°F 25°C)

TIME	5 min.	10 min.	15 min.	30 min.	60 min.	2 h	3 h	4 h	5 h	8 h	10h	24 h
1.60 V	433	323	258	165	98.6	56.5	42.5	33.4	27.9	19.1	16.1	7.30
1.65 V	420	310	250	157	97.8	55.3	41.1	32.5	27.4	18.6	15.7	7.20
1.70 V	390	299	246	151	93.8	53.7	40.4	32.0	27.0	18.3	15.4	7.10
1.75 V	368	287	232	149	92.3	53.0	39.9	31.7	26.8	18.0	15.1	7.00
1.80 V	349	275	218	146	88.5	51.4	44.0	39.0	31.1	17.7	14.8	6.90

SKB Lead Acid Battery SK12-80S(6FM80S) 12V – 80Ah SINERCOM SRL

