

SKB Lead Acid Battery SK12-65(6FM65) 12V – 65Ah

The rechargeable batteries are lead-lead dioxide systems. The dilute sulfuric acid electrolyte is absorbed by separators and plates and thus immobilized. Should the battery be accidentally overcharged producing hydrogen and oxygen, special one-way valves allow the gases to escape thus avoiding excessive pressure build-up. Otherwise, the battery is completely sealed and is, therefore, maintenance-free, leak proof and usable in any position.



BATTERY CONSTRUCTION

Component	Positive plate	Negative plate	Container	Cover	Safety Valve	Terminal	Separator	Electrolyte
Raw material	Lead dioxide	Lead	ABS	ABS	Rubber	Copper	Fiberglass	Sulfuric acid

GENERAL FEATURES

- Absorbent Glass Mat (AGM) technology for efficient gas recombination of up to 99% and freedom from electrolyte maintenance or water adding.
- Not restricted for air transport-complies with IATA/ICAO Special Provision A67.
- UL-recognized component.
- Can be mounted in any orientation.
- Computer designed lead, calcium tin alloy grid for high power density
- Long service life, float or cyclic applications.
- Maintenance-free operation.
- Low self discharge.

DIMENSIONS AND WEIGHT

Lenght (mm / inch).....350 / 13.80
 Width (mm / inch).....167 / 6.57
 Height (mm / inch).....179 / 7.05
 Total Height (mm / inch).....179 / 7.05
 Approx Weight (Kg / lbs)..... 22 / 49.6

Terminal Type : F11 (Vite Inser. M6)

PERFORMANCE CHARACTERISTICS

NOMINAL VOLTAGE.....12V
NUMBER OF CELL.....6
DESIGNE LIFE.....10 years

NOMINAL CAPACITY (25°C)
 - 24 hour rate (2.86A - 10.8V).....69.0Ah
 - 10 hour rate (6.50A - 10.8V)..... 65.0Ah
 - 5 hour rate (11.3A - 10.5V)..... 56.5Ah
 - 1 hour rate (44.2A - 9.6V)..... 44.2Ah

INTERNAL RESISTANCE :
 Fully Charged battery (25°C).....5.5 mOhms

SELF – DISCHARGE :
 3% of capacity declined per month at 20°C (average)

OPERATING TEMPERATURE RANGE :
 Discharge..... -20 – 60°C
 Charge..... - 10 – 60°C
 Storage..... - 20 – 60°C

MAX DISCHARGE CURRENT 77°F(25°C) :.....650A (5s)

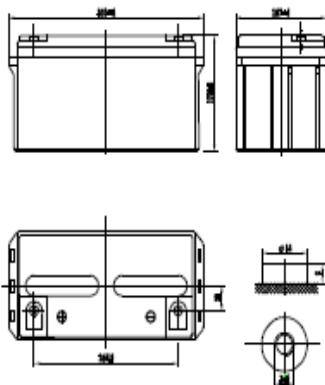
CHARGE METHODS: Constant Voltage Charge 77°C (25°C)

Cycle use..... 14,4 – 14,7V
 Maximum charging current.....20 A

Temperature compensation..... -30mV/°C

Standby use..... 13,6 – 13,8V
 Temperature compensation..... -20mV/°C

BATTERY AND TERMINAL DIMENSIONS



DISCHARGE CONSTANT CURRENT (Ampere at 77°F 25°C)

TIME	5 min.	10 min.	15 min.	30 min.	60 min.	2 h	3 h	4 h	5 h	8 h	10h	24 h
1.60 V	215	160	125	70.5	44.2	24.3	17.7	14.2	12.1	8.8	7.01	3.20
1.65 V	203	151	116	68.0	41.9	23.3	17.1	13.7	11.7	8.10	6.90	3.12
1.70 V	191	143	114	66.3	41.5	23.1	16.9	13.5	11.5	7.95	6.76	3.06
1.75 V	178	132	108	66.2	40.9	22.8	16.7	13.3	11.3	7.78	6.61	2.97
1.80 V	165	120	100	61.8	38.3	21.8	16.3	13.0	11.1	7.65	6.50	2.86

DISCHARGE CONSTANT POWER (Watts/cell at 77°F 25°C)

TIME	5 min.	10 min.	15 min.	30 min.	60 min.	2 h	3 h	4 h	5 h	8 h	10h	24 h
1.60 V	381	282	222	132	80.8	46.1	34.5	27.2	22.8	15.5	13.1	5.98
1.65 V	359	267	206	127	79.0	45.1	33.8	26.8	22.6	15.3	12.9	5.90
1.70 V	337	252	197	118	77.2	44.6	33.7	26.6	22.4	15.2	12.8	5.88
1.75 V	315	237	193	116	75.4	43.2	32.4	25.9	22.0	15.0	12.7	5.84
1.80 V	294	220	183	114	75.0	42.5	31.7	25.5	21.7	14.9	12.6	5.78

Sinercom Srl - Via A. Dudan,9 - 00143 ROMA

Tel. 06-79.800.323 Fax 06-79.814.644

www.sinercom.it info@sinercom.it

SKB Lead Acid Battery SK12-65(6FM65) 12V – 65Ah

